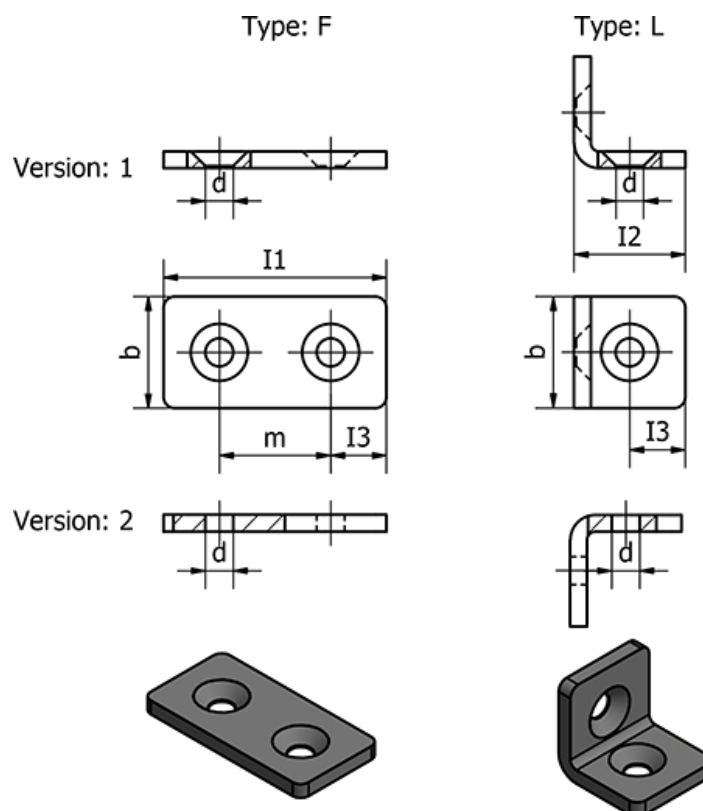


Article number: 209674590F2ZB

Description: E+G Angle pieces/Shackels - GN 967-45-90-F-2-ZB

Measures



b	= 45
d	= 8.3
I1	= 90
I2	= -
I3	= 22.5
m	= 45
s	= 5
Weight (g)	= 152